

PART 16 PARA-CYCLING

TABLE OF CONTENTS

	Page
Chapter I GOVERNANCE	1
Chapter II AGE CATEGORIES	2
Chapter III ELIGIBILITY FOR PARA-CYCLING COMPETITIONS	3
Chapter IV CLASSIFICATION STRUCTURE (chapter changed on 1.01.10)	5
Chapter V PARA-CYCLING SPORT CLASS PROFILES (chapter changed on 1.01.10)	14
Chapter VI UCI PARA-CYCLING WORLD CHAMPIONSHIPS	20
Chapter VII ROAD RACES	21
§ 1 Road races	21
§ 2 Individual time trials	23
Chapter VIII TRACK RACES	25
§ 1 Kilometer and 500 meters	25
§ 2 Individual Pursuit	25
§ 3 Tandem sprint	26
§ 3 Team sprint (TS)	27
Chapter IX WORLD RECORDS	28
Chapter X RACING DRESS	29
Chapter XI MEDALS AND JERSEYS FOR UCI PARA-CYCLING WORLD CHAMPIONSHIPS	30

Chapter XII PENALTIES	30
Chapter XIII ANTIDOPING	30
Chapter XIV EQUIPMENT REGULATIONS	31
Chapter XV TANDEM BICYCLE	33
Chapter XVI TRICYCLE	34
Chapter XVII HANDCYCLE	35
Chapter XVIII PARA-CYCLING INDIVIDUAL RANKING	38
Chapter XIX NATION'S RANKING	42
Chapter XX PARA-CYCLING WORLD CUP	43
Chapter XXI WORLD CHAMPIONSHIPS QUALIFYING SYSTEM	46
Chapter XXII PARALYMPIC GAMES	49
Chapter XXIII PARA-CYCLING TECHNICAL NOTES	50

PART 16 PARA-CYCLING

Chapter GOVERNANCE

16.1.001 The International Paralympic Committee (IPC) is the supreme authority governing para-cycling at paralympic standard where it relates to Paralympic summer Games.

(text modified on 26.06.07).

16.1.002 [article abrogated on 26.06.07].

16.1.003 [article abrogated on 26.06.07].

Viability of events

16.1.004 In para-cycling competitions, except the Paralympic Games, an organizer in consultation with the appointed technical delegate, or the UCI, may mix classes, divisions, age groups and gender, as necessary to produce a viable event.

For events with less than four competitors, the 'minus one' rule will apply if medals are to be awarded: no medal for one competitor, one medal for two competitors, two medals for three competitors and three medals for four or more competitors.

(text modified on 26.06.07).

Factored events

16.1.005 **In case of mixed event (gender and/or division), factors will be applied to ensure equity between the combined divisions. Factors will be provided by UCI.**

For track events, factors will be based on the last published UCI world record of each division. For the road time trial, factors will be based on *World Championships* and *Paralympic Games* performances.

(article introduced on 1.01.10).



Chapter AGE CATEGORIES

16.2.001 In para-cycling competitions, except the Paralympic Games, UCI age categories described at article 1.1.034 and the following of the UCI regulations rules shall apply for both men and women. Different age categories may compete together, with the exception of the 'youth' category. In para-cycling combined age competitions, age category awards are not mandatory:

- In para-cycling track and road competitions, the minimum age for the youth category shall be the year of the rider's 14th birthday.
- All road circuits for youth category racing must be completely closed to other traffic.
- Youth category riders shall only compete amongst themselves.
- The completed final entry form for para-cycling competitions for youth category riders shall include a signature of parental (legal guardian) consent for the rider to compete.
- International competitions, except Paralympic Games, are opened to junior and elite UCI age categories.

(text modified on 26.06.07; 1.02.08).

**Chapter ELIGIBILITY FOR PARA-CYCLING COMPETITIONS****Athletes**

- 16.3.001** Are eligible for para-cycling competitions athletes with a functional class profile as defined for each class under these rules.
See details of para-cycling classification in chapter V below.

(text modified on 26.06.07).

- 16.3.002** All athletes, including tandem pilots, must hold a valid international racing license from their UCI recognized national cycling federation. This license must be presented at all para-cycling competitions.

(text modified on 26.06.07).

Tandem pilots

- 16.3.003** Professional cyclists being members of a UCI registered team may not take part as a tandem pilot.

(text modified on 26.06.07).

- 16.3.004** **Cyclists who were members of a UCI ProTeam or UCI Professional Continental Team must respect a waiting period of 36 months after their contract expires before taking part as a tandem pilot. This waiting period comes to 24 months for cyclists who were members of one of the other UCI teams described at article 1.1.041 of the UCI rules.**

(text modified on 1.01.09).

- 16.3.005** Men and women cyclists over 18 years of age, may race as tandem pilots, provided they have not been selected by their national federation **in one of the following events (all disciplines included):**

- **UCI World Championships and Olympic Games - 36 months preceding the para-cycling event;**
- **UCI World Cup, Regional Games and Championships (i.e. Commonwealth Games, Panamerican Games, Asian Games, Mediterranean Games, European Championships, ...) - 24 months before the paracycling event.**

(text modified on 26.06.07; 1.01.09).

- 16.3.006** Each blind or visually impaired athlete is allowed a maximum of one pilot for any para-cycling competition.

(text modified on 26.06.07; 1.01.09).

16.3.007 In the event of an injury or illness and upon presentation of a medical certificate, the pilot may be replaced up to 24 hours before the official start of the competition in which the tandem is taking part. After this deadline, no change will be allowed.

(article introduced on 1.02.08).

IV

Chapter **CLASSIFICATION STRUCTURE**

(Chapter changed on 1.01.10).

16.4.001 The purpose of the Para-Cycling Classification is to minimise the impact of impairment on the outcome of competition, so that an athlete’s success in competition relies on training, physical fitness and personal athletic talent. Classification is an on-going process whereby all athletes are under regular observation by Classifiers to ensure consistency and fairness for all athletes.

In order to achieve this purpose, athletes are classified according to the extent of activity limitation resulting from their impairment. This places athletes according to how much their impairment affects core determinants of performance in cycling.

Classification has two important roles:

- to determine eligibility to compete; and
- to group athletes for competition.

16.4.002 Para-Cycling Sport Class

Handbike	Tricycle	Cycling	Tandem
Handbike Class H 1	Tricycle Class T 1	Cycling Class C 1	Tandem Class B
Handbike Class H 2	Tricycle Class T 2	Cycling Class C 2	
Handbike Class H 3		Cycling Class C 3	
Handbike Class H 4		Cycling Class C 4	
		Cycling Class C 5	

The UCI recommends to use the codes below on UCI para-cyclists licenses:

Blind and Visually Impaired	MB	WB
Handbike Class H1	MH1	WH1
Handbike Class H2	MH2	WH2
Handbike Class H3	MH3	WH3
Handbike Class H4	MH4	WH4
Tricycle Class T1	MT1	WT1
Tricycle Class T2	MT2	WT2
Cycling Class C1	MC1	WC1
Cycling Class C2	MC2	WC2
Cycling Class C3	MC3	WC3
Cycling Class C4	MC4	WC4
Cycling Class C5	MC5	WC5

The rider's code is read as follows:

- 1st letter: gender
- 2nd–3rd letter or number: class and division

Classification Officials Roles

16.4.003 Classification Training and Certification are done in compliance with the International Paralympic Committee (IPC) Classification Code International Standard on Classification and Training and are detailed in the UCI Para-Cycling Classification Guide.

Head of Classification

The Head of Classification (here after HoC) is the classifier responsible for UCI classification in partnership with the UCI Para-Cycling Coordinator. They are responsible for the administration, coordination and implementation of classification but also for the appointment of the Chief Classifier and Classification Panels for UCI sanctioned competitions, management of the master list, and other duties as defined by the UCI Classification Guide.

Chief Classifier

The Chief Classifier (here after CC) is the classifier responsible for the administration, co-ordination and implementation of classification matters for a specific competition. The HoC may also fill the role of CC.

Classifier

A classifier is a person authorised as an official by UCI to evaluate athletes while serving as a member of a classification panel.

Classifier trainees

Must apply to the HoC for approval to attend competitions to train and may not have any other official responsibilities other than training as a classifier at a competition.

Classification Panels

A classification panel for athletes with physical impairment in Handbike, Tricycle and Cycle consists of three UCI accredited classifiers: a medical specialist, a physio-therapist and a sports technician. At the discretion of the Head of Classification, a classifier may fill a dual role if he/she has accreditation in more than one discipline. Classification will not be valid unless the entire multidisciplinary team is present.

A classification panel for athletes with visual impairments or blind athletes in the Tandem class will be defined as an accredited UCI medical classifier who specializes in ophthalmology.

If only one classification panel is present, no protest will be accepted.

- 16.4.004** UCI Para-Cycling *World Championships* must have two (2) Classification Panels present including a Chief Classifier.

Members of the classification panels must have no significant relationship with the athlete, will have had no involvement with any decision being appealed, and will be free from any other actual or perceived bias or conflict. Should conflict arise, the parties concerned should raise these with the Chief Classifier.

Members of a classification panel may not have any other official responsibilities within a competition other than in connection with classification.

Classification Master List

UCI maintains a classification master list of all athletes. A web list is available on the UCI website at www.uci.ch. The web list details the country, athlete's name, date of birth, sport class and sport class status. It is update after each major competition within 60 days.

National Federations

- 16.4.005** It is the National Federation's responsibility to ensure that athletes are classified at a national level before competing.

Athlete Evaluation

- 16.4.006** Athlete Evaluation is done in compliance with the IPC Classification Code and International Standard on Athlete Evaluation.

The Athlete Assessment may include, but is not limited to:

- Physical Assessment
- Technical Assessment
- Observation Assessment.

The Physical Assessment and the Technical Assessment take place during the Classification Evaluation Period.

The Observation Assessment takes place during the Classification Evaluation Period and/or the Classification Competition Period during the athlete's first appearance in competition.

The athlete is assessed and then observed on the road and/or the track.

Athlete presentation for evaluation

- 16.4.007** The National Federation or – on delegation of this one – / Team Manager must ensure that athletes attend classification properly equipped with appropriate documentation and on time. It is the responsibility of the National Federation to ensure that any Athlete whose impairment is a result of an uncommon or rare condition provides supporting specialist documentation written in English, when presenting for athlete evaluation.

The athlete may be accompanied by an interpreter and not more than one repre-

sentative of the athlete's National Paralympic Committee (NPC) or National Cycling Federation.

Athletes with a visual impairment must bring any eyeglass and or contact lenses used to correct vision to evaluation.

Incorrect presentation at classification could result in the athlete not being classified and therefore not competing.

If an athlete has a health condition which causes pain that limits or prohibits full effort during evaluation, he/she may not be appropriate for evaluation at that time. The chief classifier may, time permitting, re-schedule the evaluation. However, ultimately if the athlete does not have a sports class and a sports class status, then he/she will not be eligible to compete at the event.

An Athlete may be required to provide detailed medical documentation in English of his/her impairment to the HoC or CC. The chief classifier has the right to request such documentation and shall have the discretion to not allocate a sport class and/or sport class status without this documentation.

Consent

Athletes must sign a classification consent form to indicate their willingness to be classified and confirm their agreement to provide full effort and co-operation throughout the classification process.

Athletes who fail to cooperate with classifiers or fail to complete the classification Process may be subject to sanctions in accordance with the UCI Classification Guide.

Sport class status

16.4.008 New (N)

Sport Class Status New (N) is assigned to an athlete who has not been previously evaluated by an international classification panel and has not had an entry sport class verified by UCI.

N status athletes include athletes who have been allocated a sport class by their National Federation for entry purposes. NS athletes must complete evaluation prior to competing at international UCI sanctioned competitions.

Review (R)

Sport Class Status Review (R) is assigned to an athlete who has been previously evaluated by an international classification panel but who is still subject to further re-evaluation. The athlete's current sport class is valid, but the athlete is subject to re-evaluation and the sport class may be changed before or during a competition.

R Status athletes include but are not limited to:

- Athletes requiring further observation during competition to confirm their sport class
- Who have fluctuating, progressive impairments
- Athletes who are affected by changes to the classification profiles
- Athletes whose sports class is still subject to protest after cyclist's first appearance in road and/or track events.

RS athletes must complete evaluation prior to compete at international UCI sanctioned competitions.

Confirmed (C)

Sport Class Status Confirmed (C) is assigned to an athlete if he/she has been previously evaluated by an international classification panel and the panel has determined that the athlete's sport class will not change.

UCI recognises that the athlete's assigned sport class is valid and will not be altered before or during competition, except in the case of a protest lodged under exceptional circumstances (see UCI Classification Guide).

C Status will be assigned when the athlete has the same sport class at a minimum of two and a maximum of three UCI sanctioned competitions over a period of at least two years. Due to the types of impairments, some athletes with fluctuating or changing impairments may not be confirmed.

Sport Class Not Eligible (NE)

Not Eligible to compete (NE) will be assigned to an athlete who does not meet the criteria in para-cycling or if an athlete has an activity limitation resulting from an impairment that is not permanent and /or does not limit the athlete's ability to compete equitably in elite sport with athlete without an impairment. In those cases, the athlete should be considered ineligible to compete.

NE Re-evaluation

In circumstances where the determination of eligibility involves evaluation by a classification panel at a competition, and a sport class status of "Not Eligible to Compete" (NE) is allocated, the athlete will be examined by a 2nd classification panel of equal or greater status. If the 2nd classification panel confirms that the athlete's sport class is NE, the athlete will not be permitted to compete and will have no further protest option.

- Athletes deemed NE can be substituted or replaced by another athlete before the end of the classification period or the end of the confirmation of starters schedule.
- Athletes with a sport class NE cannot be registered as an athlete at a competition.

Notification of Sport Class and Sport Class Status

16.4.009 Once the Classification Panel Classification panel has made a decision on the Athlete's Sport Class, the athlete will be informed of the Panel's decision. This will occur as soon as possible after the athlete has completed classification.

Written notification will be provided to the Athlete or the Athlete's national representative, recorded in writing on the UCI form including:

- Athlete's assigned Sport Class
- Athlete's updated Sport Class Status
- Associated Protest options and procedures

Third Party Notification

The LOC has the responsibility to inform all relevant parties of outcomes of the classification panel decision after conveyance by the Chief Classifier at the end of each evaluation session. This should include clear information for Commissaires and teams viewing any athletes that entered the event with an "N" or "R" Sports Class Status. Teams require this information to determine protest opportunities for any newly assigned Sports Classes.

The Chief Classifier must convey the outcomes of the assigned Sports Class and updated Sports Class Statuses to the Commissaires and/or Technical Delegate so that they can prepare start lists and make associated event management arrangements.

Para-cycling classification card

16.4.010 A para-cycling classification card will be provided, free of charge, for use by athletes as proof of international para-cycling classification. The card may be requested for inspection by various agencies including National Paralympic Committees, National Cycling Federations, as well as competition organizers and race officials. Replacement of lost cards will involve an administration fee of CHF 5.00. If an athlete is formally re-classified, an updated para-cycling functional classification card will be issued, free of charge.

Athlete failure to attend evaluation

16.4.011 If an athlete fails to attend evaluation, he/she will not be allocated a sport class or sport class status, and will not be permitted to compete at that competition in that sport.

Should the Chief Classifier be satisfied that a reasonable explanation exists for the failure to attend the evaluation, an athlete may be given a second and final chance to attend evaluation.

Failure to attend evaluation includes:

- Not attending the evaluation at the specified time or place

- Not attending the evaluation with the appropriate equipment/clothing and/or documentation
- Not attending evaluation accompanied by the required athlete support personnel

Non-Cooperation during evaluation:

An athlete who, in the opinion of the classification panel, is unable or unwilling to participate in an athlete evaluation shall be considered non co-operative during evaluation.

If the athlete fails to co-operate during an athlete evaluation, the athlete will not be allocated a sport class or sport class status, and will not be permitted to compete at the respective competition in the respective sport.

Should the chief classifier be satisfied that a reasonable explanation exists for the failure to co-operate during the evaluation then the athlete may be given a second and final opportunity to attend and co-operate.

Any athlete found to have been non co-operative during an evaluation will not be permitted to undergo any further evaluation for that sport for a minimum of twelve months starting from the date upon which the athlete failed to co-operate.

Intentional misrepresentation of skills and/or abilities

16.4.012 An athlete, who, in the opinion of the classification panel, is intentionally misrepresenting skill and/or abilities, shall be considered in violation of the UCI Classification Rules.

If an athlete intentionally misrepresents skills and/or abilities, the athlete will not be allocated a sport class or sport class status, and will not be permitted to compete at that competition in that sport.

In addition:

- The athlete will not be allowed to undergo any further evaluation for that sport for a minimum of two years from the date upon which the athlete intentionally misrepresents skills and/or abilities
- The HoC and/or Para-cycling Coordinator will remove the sport class and Sport Class Status allocated to the athlete from the UCI classification master list and replace it with IM (Intentional Misrepresentation)
- The athlete will not be allowed to undergo any further evaluation for any sport within UCI for a period of two years from the date upon which the athlete intentionally misrepresented skills and/or abilities
- The National Cycling Federation will be informed.

An athlete, who, on a second and separate occasion, intentionally misrepresents skills and/or abilities, will receive a lifetime ban from UCI events and will be subject to other sanctions deemed appropriate by the UCI arbitrary commission.

Consequences for athlete support personnel

- 16.4.013** The UCI arbitrary commission shall enforce sanctions on athlete support personnel who assist or encourage an athlete to fail to attend athlete evaluation, to fail to cooperate, to intentionally misrepresent skills and/or abilities or to disrupt the evaluation process in any other way.

Those who are involved in advising athletes to intentionally misrepresent skills and/or abilities will be subject to sanctions, which are at least as severe as the sanctions given to the athlete.

In this circumstance, reporting the athlete support personnel to the appropriate parties is an important step in deterring intentional misrepresentation by the athlete.

Publication of penalties

- 16.4.014** UCI will disclose details of penalties imposed upon athletes and athlete support personnel as outlined in UCI Classification Guide.

Protest and Appeals

- 16.4.015** The term “protest” refers to the procedure by which a formal objection to an athlete’s sport class is made and subsequently resolved.

Protests should only be submitted by a designated representative of a National Cycling Federation or chief classifier under exceptional circumstances (see UCI Classification Guide). An athlete’s sport class should only be protested once, with the exception of protests submitted in exceptional circumstances. A protest of a sport class allocated by UCI should only be resolved by the UCI para-cycling commission.

In competition, protests should be resolved in a manner that minimizes the impact on competition. Medal presentations should not occur until protests have been finalized.

Out of competition protests must be submitted to the HoC and UCI para-cycling commission within 30 days of the last day of a competition in which the athlete has competed or 60 days prior to a competition where the athlete will compete.

Exceptional circumstances arise when a chief classifier believes an athlete with a confirmed (C) sport class status demonstrates significantly less or greater ability prior to or during competition, which does not reflect the athlete’s current sport class.

Exceptional circumstances may result as:

- **A change in the degree of impairment of an athlete;**
- **Athlete demonstrating significantly less or greater ability prior to or during competition which does not reflect the athlete's current sport class;**
- **An error made by a classification panel which has led to the athlete being allocated a sport class which is not in keeping with the athlete's ability;**
- **Sport class allocation criteria having changed since the athlete's most recent evaluation.**

The term "appeals" refers to the procedure by which a formal objection to the manner in which classification procedure have been conducted is made and subsequently resolved.

All details on UCI Classification Protest & Appeals are available in the UCI Classification Guide.

V**Chapter PARA-CYCLING SPORT CLASS PROFILES**

[chapter changed on 1.01.10].

16.5.001 The following sport profiles determine the sport class in which an athlete will compete. A para-cycling specific classification system assesses the athlete's ability based level of the impairment relevant to their specific impairment.

In the case of an incomplete spinal cord lesion, the functional ability of the athletes will decide the final classification and the decision of the UCI classifier shall be final.

§ 1**Sport Class Profiles****16.5.002 Handbike Class H1****H 1.1 Tetraplegia C6 or above and severe spastic quadriplegia**

- Tetraplegic with impairments corresponding to a complete cervical lesion at C6 or above
- Complete loss of trunk and lower limb function
- Limited extension of the elbow with a muscle score of 6 (total of both triceps)
- Limited handgrip
- Non-spinal cord injury, but functional ability profile equivalent to class H 1.1
- Thermo-regulatory system limitations and Impaired sympathetic nerve system
- Recumbent position in handbike mandatory (AP-bikes)
- Severe spastic quadriplegic with/without athetosis/ataxia and elbow extension limitation.

H 1.2 Tetraplegia C7/C8 and severe spastic quadriplegia

- Tetraplegic with impairments corresponding to a complete cervical lesion at C7/C8 or above
- Complete loss of trunk and lower limb function
- Non-spinal cord injury, but functional ability profile equivalent to class H 1.2
- Thermo-regulatory system limitations and Impaired sympathetic nerve system
- Recumbent position in handbike mandatory (AP-bikes)
- Severe spastic quadriplegic with/without athetosis/ataxia and no elbow extension limitation.

16.5.003 Handbike Class H2**H 2.1**

- Paraplegic with impairments corresponding to a complete lesion from Th1 to Th3
- Very limited trunk stability
- Impaired sympathetic nerve system
- Non-spinal cord injury, but functional ability profile equivalent to class H 2.1
- Recumbent position in handbike mandatory (AP-bikes)
- Moderate quadriplegia with/without athetosis/ataxia.

H 2.2

- Paraplegic with impairments corresponding to a complete lesion from Th4 to Th9/Th10
- Limited trunk stability
- Non-spinal cord injury, functional ability profile equivalent to class H 2.2
- Recumbent position in handbike mandatory (AP-bikes)
- Moderate quadriplegia with/without athetosis/ataxia.
- Severe hemiplegia (non-ambulant)
- Severe diplegia (non-ambulant) and athetosis/ataxia.

16.5.004 Handbike Class H3

- Paraplegic with impairments corresponding to a complete lesion from Th11 or below
- No lower limb function or limited function
- Normal or almost normal trunk stability
- Non-spinal cord injury, functional ability profile equivalent to class H 3
- Incomplete loss of lower limb function, functional ability profile equivalent to class H3 or H4, with other disabilities, which prevent the safe use of a conventional bicycle, tricycle or the Kneeling position in a handbike
- Recumbent position in handbike (AP-bike)
- Severe diplegia and athetosis/ataxia/dystonia (almost normal UE) Hemiplegic with spasticity Grade 2-3, lower limb more involved.

16.5.005 Handbike Class H4

- Paraplegic with impairments corresponding to a complete lesion from Th11 or below
- Double below or Double through knee amputee
- Single leg amputation (AK), minimal disability below knee amputation (BK)
- Incomplete loss of lower limb function, with other disabilities, which prevent the save use of a conventional bicycle or tricycle
- Kneeling Position (ATP-bike), in case of mobility reduction if prevents kneeling, the athlete can use a recumbent bike in H3
- Hemiplegic with spasticity Grade 2, lower limb more involved
- Mild to Moderate diplegia or athetosis with almost normal trunk and upper limb function.

16.5.006 Tricycle Class T1

Neurological

Very poor:

- Severe Hemiplegia, spasticity grade 4 in lower and upper limb
- Severe Diplegia, lower spasticity Grade 4 in both legs
- Severe athetosis or ataxia
- Severe locomotor dysfunction, can be mixed pattern (athetosis, spasticity or ataxia)
- Poor functional strength in trunk, and / or in all extremities

Decrease in muscle strength:

- more than 210 Points (Polio, peripheral neurological lesions incomplete Spinal Cord Lesion, no amputees, not able to ride a bicycle)

Comparable disabilities

- multiple impairments (e.g. amputation with brain damage).

16.5.007 Tricycle Class T2

Neurological

Poor:

- Hemiplegic, spasticity grade 4, lower limb more involved
- Moderate to severe Diplegic, lower spasticity Grade 3 in both legs
- Moderate to severe athetosis or ataxia

Decrease in muscle strength

- between 160 and 209 Points (Polio, peripheral neurological lesions incomplete Spinal Cord Lesion, no amputees, not able to ride a bicycle)

Comparable disabilities

- multiple impaired (e.g. amputation with brain damage), but fluently movement and control of the bike.

16.5.008 Cycling Class C1

Neurological

Very poor:

- Severe Hemiplegia, spasticity grade 4 in lower and upper limb
- Severe Diplegia, lower spasticity Grade 4 in both legs
- Severe athetosis or ataxia
- Severe locomotor dysfunction, can be mixed pattern (athetosis, spasticity or ataxia)
- Poor functional strength in trunk, and / or in all extremities

Amputation:

- Single amputation of leg, AK, and arm, AE or BE, on same side or diagonal, with or without the use of a prosthesis
- Double TK amputation with the use of prostheses
- Double amputation BE + Single amputation AK, no prosthesis.

Comparable incomplete spinal cord injury by point score

Comparable multiple impaired with a tested point score more than 210 points.

16.5.009 Cycling Class C2**Neurological****Poor:**

- Hemiplegic, spasticity grade 4, lower limb more involved
- Moderate to severe Diplegic, lower spasticity Grade 3 in both legs
- Moderate to severe athetosis or ataxia

Decrease in muscle strength

- between 160 and 209 Points (Polio, peripheral neurological lesions incomplete Spinal Cord Lesion, HMSN, MS)

Amputation:

- Single AE amputation with or without use of prosthesis + Single TK amputation with the use of prostheses
- Double amputation BE + Single amputation TK with the use of a lower prosthesis
- Double BK amputation with the use of prostheses + Single AE amputation without the use of upper limb prosthesis
- Single amputation AK, no prosthesis, may have a stump support
- Comparable impairments:
- Multiple impairments (e.g. amputation with brain damage), but fluently movement and control of the bike.
- Limited ROM of the hip or knee such that a functional full revolution of the crank is not possible. In this case, the radius of crank must be limited to 0 cm.

16.5.010 Cycling Class C3**Neurological****Poor to fair:**

- Hemiplegic with spasticity Grade 3, lower limb more involved
- Monoplegic, spasticity Grade 3 in single lower limb
- Moderate Diplegic, lower spasticity Grade 2 in both legs
- Moderate athetosis or ataxia

Limited ROM of the hip or knee such that a normal functional full revolution of the crank is not possible. In this case, it is the cyclist's option to shorten the crank to the optimal size.

Amputation:

- Single AE amputation, no prosthesis + Single BK amputation with the use of a prosthesis
- Single TK amputation with the use of a prosthesis + Single BE amputation
- Single amputation TK, with the use of prosthesis
- Double amputation BK, with the use of prostheses

Comparable multiple impairments with a tested point score between 110 and 159 points.

16.5.011 Cycling Class C4**Neurological****Fair:**

- Hemiplegic with spasticity Grade 2, lower limb more involved
- Mild to moderate Diplegic, lower spasticity Grade 1 in both legs
- Mild to moderate athetosis.

Limited ROM of the hip or knee such that a normal functional full revolution of the crank is not possible. In this case, it is the cyclist's option to shorten the crank to the optimal size.

Amputation:

- Single amputation BK with the use of prosthesis + Single BE amputation with or without the use of prosthesis
- Single amputation BK, with the use of prosthesis
- Double amputation BE with or without the use of a prosthesis that allows as much functional contact as possible to the handlebar.

Comparable multiple impairments with a tested point score between 60 and 109 points.

16.5.012 Cycling Class C5

This is the class for athletes with minimum impairments.

Neurological**Fair to normal:**

- Minimally affected diplegic with spasticity grade 1 - 2
- Truly ambulant hemiplegic with spasticity grade 1 - 2
- Monoplegic through a major joint plus clear neurological signs to include positive uni or bilateral Babinski, uni or bilateral clonus (4 beats or more)
- Notably brisk reflexes or clear differences in reflexes
- Possible loss of function by uncoordinated hands or one leg
- Minimum athetosis or ataxia with clear signs of cerebella dysfunction.

Amputation:

- Single amputation AE, with or without prosthesis, no functional grip
- Single amputation BE with the use of a prosthesis.

Minimal disability: Amputation of all fingers and thumb (through MCP) or amputation of more than half foot (forefoot). In the case of a single AE-, BE-amputation or a single upper limb dysmelia, the minimal impairment is met if all fingers and the thumb of one hand is missing through the MCP joint or other impairments who are equivalents, without a functional grip. As a proof of the loss of functional grip, the affected athlete will not be able to operate handlebar mounted gear and brake levers with the affected or impaired limb.

16.5.013 Tandem Class B
Blind or Visual Impaired (VI)

TCB - from no light perception in either eye up to visual acuity of 6/60 and/or visual field of less than 20 degrees. Classification assessed in the best eye with the best correction (i.e. all athletes who use contact or corrective lenses must wear them for classification, whether they intend to wear them in competition or not). Classification will be provided by a UCI accredited classifier.

VI

Chapter UCI PARA-CYCLING WORLD CHAMPIONSHIPS

16.6.001 For all UCI para-cycling world championships, the program of events must be scheduled so that athletes from any **division** are not expected to compete in more than one event per day.

(text modified on 26.06.07; 1.01.09).

VII

Chapter ROAD RACES

§ 1 Road races

16.7.001 For UCI para-cycling world championships, **nations can register a maximum of three athletes in each division for the road race.** All road race courses must be completely closed to other traffic.

(text modified on 26.06.07; 1.01.10).

Road race distances

16.7.002 The minimum and maximum distances for UCI para-cycling world championships road races shall be:

Class / Division	Minimum	Maximum
B men	90 km	120 km
B women	70 km	100 km
C 5 men	70 km	100 km
C 4 men	60 km	90 km
C 3 men	50 km	70 km
C 2 men	40 km	60 km
C 1 men	40 km	60 km
C 5 women	50 km	75 km
C 4 women	45 km	65 km
C 3 women	40 km	60 km
C 2 women	30 km	50 km
C 1 women	30 km	50 km
T 2 men	25 km	40 km
T 1 men	15 km	30 km
T 2 women	15 km	30 km
T 1 women	15 km	30 km

Class / Division	Minimum	Maximum
H 4 men	50 km	80 km
H 3 men	40 km	70 km
H 2 men	40 km	70 km
H 1 men	25 km	40 km
H 4 women	40 km	70 km
H 3 women	30 km	55 km
H 2 women	30 km	55 km
H 1 women	25 km	40 km

(text modified on 26.06.07; 1.02.08; 1.02.09; 1.01.10).

Road race circuits

- 16.7.003** Road race circuits at all UCI para-cycling **events**, shall be **between 7 km and 15 km**. Circuits which are shorter than **7 km**, but with unique, desirable features, (for example purpose built motor racing circuits), may be permitted at the discretion of the UCI.

Climbs on any circuit **must have a maximum of 8%** average gradient and no more than 15% maximum **on their steepest section**. Total length of climbing must not be more than 25% of the total circuit length.

Tricycles, handcycles and youth category riders may use a shorter and less technically difficult circuit, at the discretion of **UCI**.

(text modified on 26.06.07; 1.01.10).

Starting order

- 16.7.004** Each road race must start with minimum of two minutes between each class, group, or division to avoid the unwanted mixing of classes.

Pacing/drafting

- 16.7.005** Any athlete **taking pace or drafting from an athlete in another** class, group, or division, will be disqualified. **The racing procedure will be in compliance with articles 2.4.017 to 2.4.020.**

(text modified on 1.02.09).

- 16.7.006** [article abrogated on 1.02.09].

16.7.007 Considering the nature of the handicap and the difficulty for certain athletes to grab a bottle during a race, the following measures will apply for the feeding by foot during the road races:

- forbidden to feed during the first and last laps,
- feeding authorized from both sides of the road. The feeding zones must be separated by at least 50 meters.

(article introduced on 1.02.09).

§ 2 Individual time trials

16.7.008 For UCI para-cycling world championships **nations can register a maximum of three athletes in each division for the individual time trial.** It is recommended that all courses should be completely closed to non-race traffic. The minimum requirement is complete course closure to oncoming traffic. Time trial courses can use the same circuits as those used for road races in the same program.

(text modified on 26.06.07; 1.01.10).

Time trial distances

16.7.009 The minimum and maximum distances for UCI para-cycling world championship time trials shall be:

Class / Division	Minimum	Maximum
B men	20 km	35 km
B women	15 km	30 km
C 5 men	15 km	30 km
C 4 men	15 km	30 km
C 3 men	10 km	25 km
C 2 men	10 km	25 km
C 1 men	10 km	25 km
C 5 women	15 km	25 km
C 4 women	15 km	25 km
C 3 women	10 km	20 km
C 2 women	10 km	20 km
C 1 women	10 km	20 km
T 2 men	10 km	20 km
T 1 men	5 km	15 km

Class / Division	Minimum	Maximum
T 2 women	10 km	15 km
T 1 women	5 km	15 km
H 4 men	15 km	30 km
H 3 men	10 km	25 km
H 2 men	10 km	25 km
H 1 men	5 km	15 km
H 4 women	15 km	25 km
H 3 women	10 km	20 km
H 2 women	10 km	20 km
H 1 women	5 km	15 km

(text modified on 26.06.07; 1.02.08; 1.02.09; 1.01.10).

16.7.010 The starting order for individual time trial stages shall be the same as applicable in UCI rules 2.6.023. Nevertheless, the commissaires panel may modify the order for “T1-2” divisions and “H” class if the course is too narrow. In that particular case, the order will be established by beginning with the fastest riders and by ending by the slowest ones, in order to facilitate the overtaking during the race.

(texte modified on 1.01.10).

16.7.011 For the individual time trial, following cars will be authorized according to the following terms for the UCI World cup and the World championship:

- one following car for a nation with less than ten riders engaged in the individual time trial, all classes combined;
- two following cars for a nation with ten riders or more engaged in the individual time trial, all classes combined.

The chief commissaire can reduce the number of accredited vehicles if he considers it appropriate. All vehicle drivers must hold a UCI license issued by their national federation.

(article introduced on 1.01.09).

VIII

Chapter TRACK RACES

16.8.001 For UCI *para-cycling World Championships*, nations can register a maximum of three athletes in each division for each track event. Moreover, “H” classes and “T1-2” divisions are not allowed to take part in track events. Also for safety reasons, foam pads placed in b ends will be prohibited in the first half of the bend.

(text modified on 26.06.07; 1.02.08; 1.01.10).

§ 1 Kilometer and 500 meters

16.8.002 Starting blocks must be used for all classes during the following track events: individual pursuit, first rider of the team sprint and kilometer/500 meters.

(article introduced on 1.01.09).

16.8.003 Races shall be for the following **division** and distances:

Division	Distance
Tandem men; women – B	1000 meters
Bicycle men – C5; C4; C3; C2; C1	1000 meters
Bicycle women – C5; C4; C3; C2; C1	500 meters

(text modified on 1.02.09; 1.01.10).

§ 2 Individual Pursuit

16.8.004 Races shall be for the following **division** and distances:

Division	Distance
Tandem men – B	4000 meters
Bicycle men – C5; C4;	4000 meters
Bicycle men – C3; C2; C1	3000 meters
Tandem women – B	3000 meters
Bicycle women – C5; C4; C3; C2; C1	3000 meters

(text modified on 1.02.09; 1.01.10).

16.8.005 Considering the variety in the types of handicap in the “C” division, it is recommended to match up athletes with similar handicaps during the qualification for the track individual pursuit, in order not to penalize or favor certain athletes. This consideration will have precedence in the pairing of the athletes.

(article introduced on 01.01.09; modified on 1.01.10).

16.8.006 When a factor is used for athletes' classification in the track individual pursuit, the athletes will evolve alone in the finals (gold-silver), (bronze-fourth) if they are not part of the same division and will be matched up only if they are part of the same division.

(article introduced on 1.01.09).

§ 3 Tandem sprint

16.8.007 Races shall be for blind and visually impaired - men and women.

(text modified on 1.02.08).

16.8.008 Sprint format
Paralympic Games and UCI World Championships

After the qualifying round, eight fastest riders will advance to the sprint tournament.

Starters	System	Event	Composition	1st	2nd
8	1/4 Finals 4x2 ⇨ 1=4 (in 2 heats, 3 if required)	1	N1-N8	1A1	1A2
		2	N2-N7	2A1	2A2
		3	N3-N6	3A1	3A2
		4	N4-N5	4A1	4A2
4	1/2 Finals 2x2 ⇨ 1=2 (in 2 heats, 3 if required)	1	1A1-4A1	1B1	1B2
		2	2A1-3A1	2B1	2B2
4	Minor Final 2x1 ⇨ 1=2	1	1A2-2A2	7th	8th
		2	3A2-4A2	5th	6th
4	Finals 2x2 ⇨ 1=2 (in 2 heats, 3 if required)	1	1B2-2B2	3rd (Bronze)	4th
		2	1B1-2B1	1st (Gold)	2nd (Silver)

(article introduced on 1.01.09).

§ 4 Team sprint (TS)

16.8.009 Races shall be for:
men – **C5; C4; C3; C2; C1**

women – **C5; C4; C3; C2; C1**

For all para-cycling TS competitions, the maximum shall be one sprint team of 3 athletes per nation that can be mixed, plus substitutes. A second team might be registered for each nation only if it is an all women team. A maximum of two athletes can have the same value in points. Looking at the following table, the total of points for the three TS participants must be a maximum of 11 points.

Gender, classes & divisions	Points
Men C 5	5
Men C 4	4
Men C 3	3
Men C 2	2
Men C 1	1
Women C 5	4
Women C 4	3
Women C 3	2
Women P 2	1
Women C 1	1

(text modified on 26.06.07; 1.02.09; 1.01.10).

16.8.010 This event consists of two series. The first series is a qualifying round to select the four fastest teams, on the basis of their times for the finals. The teams with the two best times shall ride off in the final for the gold and silver medals, while the two others shall ride off in the final for the bronze medal and fourth place.

(article introduced on 1.01.09).

16.8.011 [article abrogated on 1.02.09].

16.8.012 [article abrogated on 1.02.09].

IX

Chapter WORLD RECORDS

16.9.001 New world records will be ratified according to UCI regulations. A copy of the documentation required must be sent to the UCI administration.

(text modified on 26.06.07).

16.9.002 A new world record submission will only be accepted from an athlete who has permanent status (PS) functional classification for the **division** in which the new record was set. The athlete must also possess a valid international racing licence from a UCI affiliated national cycling federation.

16.9.003 **Only world records attempted on a traditional bicycle including tandem may be homologated. Handbikes and tricycles can therefore not make a request for the homologation of a world record.**

(text modified on 1.02.08; 1.02.09).

X

Chapter RACING DRESS

16.10.001 [article abrogated on 26.06.07. For racing dress provisions, refer to Article 1.3.026 and the following].

16.10.002 [article abrogated on 26.06.07. For racing dress provisions, refer to Article 1.3.026 and the following].

16.10.003 [article abrogated on 26.06.07. For racing dress provisions, refer to Article 1.3.026 and the following].

16.10.004 For all functional class **and division** road races, athletes are required to **wear a helmet** in the correct **division** color, or use an appropriately colored helmet cover, as follows:

Red helmet:	C 5 men & women
	T 2 men & women
	H 3 men & women
	Tandem men
White helmet:	C 4 men & women
	H 2 men & women
	Tandem women
Blue helmet:	C 3 men & women
	H 1 men
Black helmet:	H 4 men & women
	C 2 men & women
	T 1 men & women
Yellow helmet:	C 1 men & women
	H 1 women

Athletes using the wrong color helmet in road races will not be allowed to start and/or will be withdrawn from the race and disqualified.

(text modified on 26.06.07; 1.02.09; 1.01.10).

Use of catheters

16.10.005 It is mandatory for cyclists who use catheters or other urinary diversion devices to prevent spillage by using a catheter bag at all times. This includes training, competition and classification. The penalty structure will be in compliance with the chapter 12, article 12.01.040, penalties for the helmet points 3.2 and 3.3.

(article introduced on 1.02.09).

XI

Chapter MEDALS AND JERSEYS FOR UCI PARA-CYCLING WORLD CHAMPIONSHIPS

See part 9 of UCI regulations.

XII

Chapter PENALTIES

16.12.001 In para-cycling competitions, any participant who commits an infraction of regulations will be subject to the disciplinary procedures and sanctions of the UCI.

(text modified on 26.06.07).

XIII

Chapter ANTIDOPING

16.13.001 Drug testing and health checks may be carried out at any para-cycling competition using UCI rules. The refusal of an athlete to submit to these checks will be treated as if the athlete tested positive, or failed a health check.

(text modified on 26.06.07).

XIV

Chapter EQUIPMENT REGULATIONS

16.14.001 All cycles used in UCI para-cycling world championships or in any other UCI events have to meet the current requirements of the UCI EQUIPMENT REGULATIONS, (Part I, Chapter III). For morphological, or disability reasons, exceptions may be permitted, but the principle of the UCI regulations for cycles must be followed. For example: A handlebar adaptation is allowed for athletes with upper limb disabilities, if the athlete needs the adaptation to operate gear and brake levers, there is no unfair aerodynamic advantage and safety is not compromised.

(text modified on 26.06.07).

16.14.002 **All request for impairment adaptations to any cycle must be submitted in writing with proper explanation and pictures at least one month before any event that the athlete wants to participate in (date of the event must be provided) for UCI approval. In case the adaptation is approved a certificate will be sent to the athlete to present at any event.**

(text modified on 26.06.07; 1.01.10).

16.14.003 The UCI, or competition officials shall not be liable for any consequences deriving from the choice of equipment and/or any adaptations used by licence-holders, nor for any defects it may have, or its non-compliance.

16.14.004 Artificial handgrips and prosthesis are allowed on upper disabled limbs, but not fixed to the cycle. For reasons of safety in the event of a fall, rigid prosthetic adaptations, mounted or fixed on parts of the cycle, are not allowed.
Except for handcycles, a cyclist's position shall be supported solely by the pedals, the saddle and the handlebar.

16.14.005 **An athlete** with above knee amputation may use a support for the thigh only if, for safety reasons, there is no fixation of the thigh to the bicycle. This means, that the support may be a half tube attached to the cycle, with a closed base and maximum of 10 cm closed side at the base, but no thigh fixing devices are permitted.

(text modified on 1.01.09; 1.01.10).

16.14.006 Road bicycles, tandems, tricycles and handcycles must have two independent braking systems. Bicycles and tandems must have an independent brake on each wheel.

Handcycle: In the case of a handcycle, if there is a braking system for the double wheels, it must involve both wheels. The braking systems must be dynamic; wheel locks or stoppers are not allowed.

Tricycle: As for tricycles, they must have two braking systems, one at the front and one at the back. The braking system on the double wheels must be dynamic and involve both wheels.

(text modified on 1.01.10).

16.14.007 In UCI para-cycling road world championships, where neutral race service is offered, it is probable that only standard bicycle wheels will be available. Therefore, it may not be possible to provide neutral service to tandem frames with hub spacing wider than a standard road bicycle. Also, it is very unlikely that neutral spare tricycle wheels will be available, or spare wheels suitable for handcycles, except where any wheel is interchangeable with a standard bicycle road wheel.

(text modified on 26.06.07).

XV

Chapter TANDEM BICYCLE

Definition

- 16.15.001** The tandem is a vehicle for two cyclists, with two wheels of equal diameter, which conforms to the general principles of UCI construction for bicycles. The front wheel shall be steerable by the front rider, known as the 'pilot'. Both riders shall face forward in the traditional cycling position and the rear wheel shall be driven by both cyclists through a system comprising pedals and chains.
- 16.15.002** The tandem top tube and any additional strengthening tubes, may slope to suit the morphological sizes of the riders.

XVI

Chapter TRICYCLE

Definition

- 16.16.001** The tricycle is a vehicle with three wheels of equal diameter. The front wheel, or wheels, shall be steerable; the rear wheel, or wheels, shall be driven through a system comprising pedals and a chain.
- 16.16.002** Recumbent pedal tricycles are not permitted in UCI para-cycling competitions.
(text modified on 26.06.07).
- 16.16.003** A tricycle with two rear wheels shall conform to UCI construction and measurements for a bicycle, including the bottom bracket, seat tube and saddle position, but excluding the rear triangle.
- 16.16.004** A tricycle with two front steerable wheels shall conform to the general principles of UCI construction and measurements for a bicycle, including the rear triangle.
- 16.16.005** Wheels of the tricycle may vary in diameter between 70 cm maximum and 55 cm minimum, including the tire, using conventional cycle components. Modified hub attachments may be used if necessary. The width of tricycle double wheels may vary between 85 cm maximum and 60 cm minimum, measured at the centre of each tire where the tires touch the ground.
- 16.16.006** If a tricycle two-wheel rear axle does not have a differential, only one wheel must be driven, due to the different speeds of the wheels in bends.
- 16.16.007** A tricycle shall not measure more than 200 cm in length and 95 cm in width overall.
- 16.16.008** To facilitate easy mounting by the rider, the tricycle top tube may slope down rearwards, with the limit being parallel with the down tube.
- 16.16.009** The two wheels of a tricycle may be offset a maximum of 10 cm either side of a centerline which passes through the single wheel and the frame top tube.
- 16.16.010** **In road races, a tricycle with two rear wheels shall be fitted with a safety bar to prevent the front wheel of a following tricycle from entering the space between the rear wheels. The safety bar must be well fixed to the tricycle so that there is no risk of the bar moving during competition. The distance from the ground to the centre of the safety bar should be the same as the distance between the ground and the middle of the hub when the tires are inflated to the pressure used in competition.**

(text modified on 1.01.09; 1.01.10).

XVII

Chapter HANDCYCLE

Definition

- 16.17.001** A handcycle is either an arm powered (AP), arm-trunk powered (ATP) or kneeling position, three wheels vehicle with an open frame of tubular construction, which conforms to the general principles of UCI construction for bicycles, except that the chassis frame tubes need not be straight and **that for the seat or backrest construction, the maximum frame tube diameter may exceed the maximum defined by the general principles of UCI.**

The single wheel may be of a different diameter to the double wheels. The front wheel, or wheels, shall be steerable; the single wheel, either front or rear, shall be driven through a system comprising handgrips and a chain.

The handcycle shall be propelled solely, through a chainset and conventional cycle drive train, of crank arms, chainwheels, chain and gears, with handgrips replacing foot pedals. It shall be propelled from the hands, arms and upper body only.

(text modified on 1.02.09).

- 16.17.002** In the recumbent position, the athlete must have a clear vision. As such, the horizontal of his eyeline must be above the crank housing/crank set, when he is sitting with his hands on the handlebars facing forward at full extent, the tip of his shoulder blades in contact with the backrest and his head in contact with the headrest, when applicable. A quick release body harness is permitted.

The measurement will be made as follows; from the position described above, the distance will be measured from the ground to the center of the eyes of the athlete seated and compared to the distance between the ground and the middle of the crank housing / crank set. The distance from the eyes to the ground needs to be at least equal or greater than the distance of the middle of the crank housing to the ground.

(text modified on 1.01.04; 1.02.09).

- 16.17.003** The recumbent handcycle must have a mirror fixed either to the helmet of the athlete or at any point of the front of the bike in order to ensure rear view vision.

(article introduced on 1.02.09).

16.17.004 In the kneeling position, the athlete's legs and feet must be supported and protected from the ground surface.

(article introduced on 1.02.09).

16.17.005 There should be no adjustment made possible to the equipment during the race. All adjustments must be made prior to the start of the race.

(article introduced on 1.02.09).

16.17.006 [article abrogated on 1.02.09].

16.17.007 Wheels of the handcycle may vary in diameter between a minimum (ETRTO) 406 mm and a maximum of 622 mm. Modified hub attachments may be used if necessary. The width of handcycle double wheels may vary between 55 cm minimum and 70 cm maximum, measured at the centre of each tire where the tires touch the ground.

(text modified on 1.01.04; 1.02.09).

16.17.008 Disk wheels are accepted for handcycle in the mass start competitions.

(article introduced on 1.02.09).

16.17.009 A handcycle shall not measure more than 250 cm in length. Its maximum width shall be 70 cm overall.

(text modified on 1.01.04; 1.02.09).

16.17.010 The shifting device should be within the extremities of the handlebars, except for HI, who can fit their shifting device on the side of their body to allow for their arm to shift gears.

(text modified on 1.02.09; 1.01.10).

16.17.011 The largest chain ring shall have a guard securely fitted to protect the rider. The protection shall be made of adequate solid material and fully cover the chain ring over half of its circumference (180°) facing the rider.

(text modified on 1.01.04; 1.01.10).

16.17.012 Maximum frame tube dimension shall be 80 mm, irrespective of tube material, or profile. Any fillets, or ribs, inserted at joins between tubes, shall be for strengthening purposes only. Non-functional, aerodynamic devices are not permitted for competition.

(article introduced on 1.01.04).

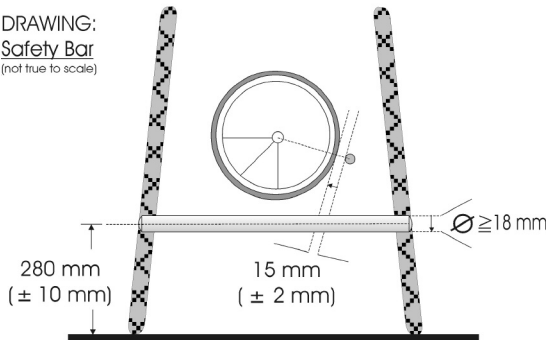
16.17.013 Leg and foot rests shall be fitted as necessary, with a secure means of protecting static lower limbs from all moving parts. **Handcyclists must wear shoes or sufficiently stiff foot protection which covers completely the foot, for security measure, unless the handcycle has a shell / structure which allows the feet to rest with no risk of coming out. In such cases, athletes should at minimum be wearing socks. In all cases, the feet should also be fixed to the bike with some sort of device which prevents the feet from falling out of the footrest.**

(text modified on 1.01.04; 1.02.09).

16.17.014 In road races, it is **mandatory** that a handcycle with two rear wheels should be fitted with a safety bar to prevent the front wheel of a following handcycle from entering the space between the rear wheels. A safety bar must not exceed the width of each rear wheel tire and all tube ends closed or plugged. **The safety bar needs to be 15 mm behind the vertical of the wheels. It must be a round tube (at least 18 mm in diameters) made of adequate solid material. Both tube ends must be plugged. The distance between the ground and the bar axis must be 280 mm (+/- 10 mm). The safety bar must be fitted 15 mm (+/- 2 mm) behind the tire. The structure and assembly of the safety bar must guarantee that normal bumps, which happen during a race, don't affect the safe functioning of the bar (see diagram).**

(text modified on 1.01.04; 1.02.09).

DRAWING:
Safety Bar
(not true to scale)



XVIII

Chapter PARA-CYCLING INDIVIDUAL RANKING

(chapter changed on 1.02.09).

- 16.18.001** UCI has created a yearly ranking of riders per division and gender, on road and track. These individual rankings will take in account the following events:
- Track: kilo/500 m, sprint, individual pursuit and team sprint
 - Road: individual time trial and road race

This ranking shall be called "UCI Para-cycling Individual ranking per division" and shall be the exclusive property of the UCI.

- 16.18.002** The International Cycling Union has created a ranking comprising a number of competitions designated each year by the UCI Management Committee.

- 16.18.003** Each division's ranking shall be established according to the points obtained by riders participating in competitions of the international calendar following these standards:

INTERNATIONAL CALENDAR

Paralympic Games *and World Championships:*

- **Points will be awarded for each event as of article 16.18.001**

World Cup:

- **Points will be awarded for each event as of article 16.18.001**
- **Points from two world cups to count**
- **Points only from one world cup per region.**

Para-cycling regional races (P1):

- **Minimum 1 class represented;**
- **Minimum 5 participating nations in Europe;**
- **Minimum 3 participating nations in America;**
- **Minimum 2 participating nations in Asia;**
- **Minimum 2 participating nations in Oceania and in Africa.**
- **An athlete has the right to accumulate P1 points on a single continent, the one where he has accumulated most points;**
- **ROAD: Only three best results (general classification or the identified race(1)) from different events will be accumulated in the individual ranking**
- **TRACK: Best result (one individual race, i.e. kilo/500 m or individual pursuit or tandem sprint).**

Para-cycling regional races (P2):

The P2 regional para-cycling races will not give any point to the ranking, but will be identified in the calendar to provide opportunities of competition to nations.

The individual ranking begins again at zero on January 1st of every year.

(text modified on 1.01.10).

16.18.004 The number of points to gain in every individual event is fixed according to the following table:

Rank	World Championship and Paralympic Games	World Cup	Regional P1	Regional P2
1	60	30	15	0
2	52	26	13	0
3	44	22	11	0
4	36	18	9	0
5	32	16	8	0
6	28	14	7	0
7	24	12	6	0
8	20	10	5	0
9	16	8	4	0
10	12	6	3	0

In team events, each athlete will be awarded a third of the points with regards to an individual competition.

For P1 competitions, only those answering the criteria of participation will award points.

(text modified on 1.01.10).

16.18.005 For every competition, the UCI points will be awarded once by event (finals).

For the competitions taking place in a tournament format, UCI points will be awarded according to the general classification of the competition. In the absence of general classification, the event which will award UCI points must be clearly identified on the program of the competition. In defect, points will not be awarded.

16.18.006 Ties on points between riders shall be resolved by counting up the greatest number of 1st places, 2nd places, etc. on the ranking of the races of the current year, taking into account the competition giving the most points, up through the regional P1 races.

16.18.007 National federations and organizers shall be required, immediately following the end of the race, to transmit to UCI headquarters by fax or e-mail the list of starters and complete results. For stage races and multi-race championships, this information shall be transmitted within **48** hours of the end of the last stage, or championship event.

The national federation of the organizer of the event shall also, within **48** hours of the final decision, communicate the downgrading of a rider to UCI headquarters. As a general practice, all national federations shall immediately communicate any facts or decisions that could result in an amendment to the points obtained by a rider.

Should any such information not be transmitted as indicated, the UCI may declassify the race in question or exclude it from the calendar, notwithstanding any other penalties provided for in the regulations.

(text modified on 26.06.07; 1.02.08).

16.18.008 The para-cycling road and track individual ranking shall be drawn up at least **once** a month **when there is competition**.

If need be, the ranking of preceding months will be corrected.

(text modified on 26.06.07; 1.02.09).

16.18.009 In case of rider's disqualification for any reason (including a classification division change), the rider disqualified loses his points and his place is taken by the next rider in the ranking, in order that all places are always occupied. In case the disqualification happens after the publication of results and ranking, changes will be done on the following publication. Same procedure will also be applied to each stage in case of stage race.

(article introduced on 1.01.10).

16.18.010 An athlete disqualification after a positive test of doping will invalidate his results, eliminate him for the ranking of the event and he will lose all his prizes, points and medals.

(article introduced on 1.01.10).

16.18.011 In case divisions are merged, results will be presented as a group (divisions merged) to reflect the way the race was held. However, points will be distributed by division, and each athlete's division must appear in the results.

(article introduced on 1.01.10)

XIX

Chapter NATIONS' RANKING

(chapter changed on 1.02.09).

16.19.001 UCI has created a ranking by nation on the road and on the track. For these, the results of the best athlete by division and by gender are taken into account as well as points accumulated through the national championships.

National Championships

16.19.002 Points cumulated on the nations' ranking from the national championships will be awarded under the following principals:

Ten (10) points will be granted to nations, by division (**C5, C4,...**) and by gender, represented at the national championships (road and track), independently of the number of events in which the athletes participate and of the number of athletes in the division.

UCI is the exclusive owner.

(text modified on 1.01.10).

16.19.003 Para-cycling road and track nations' ranking will be established on December 31st of every year.

If need be, the nations' ranking will be corrected.

XX

Chapter PARA-CYCLING WORLD CUP

(chapter changed on 1.02.09).

16.20.001 The International Cycling Union has created a «Para-cycling **ROAD and Para-cycling TRACK** World Cup», comprising a general individual ranking based on a number of competitions designated each year by the UCI Management Committee.

(text modified on 1.01.10).

16.20.002 The para-cycling world cup shall be the exclusive property of UCI.

16.20.003 Events selected for the para-cycling world cup are the following:

Road

Road race – all classes and divisions

Individual Time Trial – all classes and divisions

Track

Kilo/500 m – classes **B & C**

Individual pursuit – classes **B & C**

Team sprint – class **C**

Sprint – class **B** (men only)

(text modified on 1.01.10).

Participation

16.20.004 The competitions shall be for national selections or teams or individuals under recommendation of the affiliated National Cycling Federation.

16.20.005 The nation's maximum number of participants in each event will be three **per division**.

(text modified on 1.01.10).

16.20.006 National Federations shall confirm their participation by means of an enrolment form within four weeks before the date of the race.

This confirmation shall mention the number of persons making up each delegation, as well as their class and division.

16.20.007 The names of riders, substitutes and attendants shall be provided to the organizer three weeks before the date of the race at the latest.

In case of the non-attendance of nominated athletes after confirmation, the following penalties may be imposed:

A financial penalty of CHF 2,000.00 per athlete. This penalty shall be paid to the organisation. The rider's National Federation shall be held jointly liable for paying the penalty.

Organisation

16.20.008 Organisers of World Cup races shall sign a contract with the UCI governing, notably, the radio and TV broadcasting rights, marketing rights and the material organisation of the races.

16.20.009 [Article abrogated on 1.01.10].

16.20.010 The commissaires panel shall comprise three UCI international commissaires including the chief commissaire appointed by the UCI.

The organizing National Federation shall designate two international commissaires, one of which should be the secretary, and five to eight national commissaires in order to assure an efficient control of the races, as well as timekeepers.

16.20.011 UCI shall appoint a technical delegate.

16.20.012 The transportation fee and daily allowance of persons appointed by UCI will be directly paid by UCI according to the current condition. The organizer has to provide them with accommodation as well as local transportation.

16.20.013 UCI will appoint the chief classifier. His costs of transport and daily allowance will be paid by UCI according to the current condition. The organizer will however have to insure the local transport and the accommodation and supply **at minimum one** national classifier.

(text modified on 1.01.10).

16.20.014 A meeting shall be convened at 6 pm on the eve of the first competition. It shall be attended by all the officials and the team leaders. It shall be chaired by the chief commissaire in the presence of the UCI technical delegate and the persons responsible for the organisation.

Prizes

16.20.015 [Article abrogated on 1.01.10].

16.20.016 [Article abrogated on 1.01.10].

16.20.017 The first three riders in each race shall receive from the organizer, respectively, a gold medal (1st place), a silver medal (2nd place) and a bronze medal (3rd place).

Ranking

16.20.018 At the conclusion of each one of the events of every competition, points will be awarded to the first ten riders following rule 16.18.004.

16.20.019 A «Para-cycling **ROAD and Para-cycling TRACK** World Cup» ranking by division and by gender will be published the week following every event.

At the conclusion of every competition, the tied riders in the general ranking will be decided by the greatest number of 1st places, 2nd places, etc. by considering only places awarding points.

If they are still tied, the best ranking in the most recent event will serve as a tie breaker.

(text modified on 1.01.10).

16.20.020 The UCI shall award a World Cup winner **trophy** to the first rider in the final individual ranking of each division.

(text modified on 1.01.10).

XXI**Chapter WORLD CHAMPIONSHIPS QUALIFYING SYSTEM**

(chapter changed on 1.02.09).

General comments

16.21.001 *National Federations shall select riders to participate in World Championships.*

16.21.002 *A rider against whom an investigation was opened in relation to a fact which may cause a breach of the UCI Anti-Doping Rules, will not be eligible for the World Championships or is not authorized to participate to the World Championship until the end of the suspension or until his definitive acquittal. In the event of a positive A Sample, this clause applies starting from the notification of the abnormal analysis result to the rider.*

Unless otherwise decided by the anti-doping commission, the above paragraph is also applicable in the event of an investigation or a procedure regarding such a fact, opened in pursuance of a law of other regulation.

Specify cases are examined by the anti-doping commission or its president. Their decision is without appeal.

In addition to the disqualification, the licensee and his national federation will be respectively sanctioned by a fine of CHF 2,000.00 to CHF 10,000.00.

The present condition for participation, aims to protect the integrity, serenity and reputation of the world championships. Its application does not prejudice the decision whether an anti-doping violation has occurred and shall not give rise to any claim in the events of acquittal.

16.21.003 *At a World Championship in each of the para-cycling event, the nation of the world champion titular will be given an additional slot for this athlete, for the event for which he is a world champion. If the world champion cannot participate at the World Championships, this place is not accumulated in the quota of the nation.*

16.21.004 *The host nation for the UCI para-cycling world championships will be entitled to register a full contingent of athletes (maximum quota) in all divisions, on the track and on the road, for both men and women.*

16.21.005 *The number of slots each nation will receive for the UCI World Championships will be determined by using the **Individual rankings** in each division (C5, C4, ...) **published following each World Championships. Points will be cumulated from the***

day following the last World Championships (Paralympic Games) up to the end of the next World Championships (Paralympic Games) and that for each discipline.

(text modified on 1.01.10).

Track

16.21.006 *At minimum, each nation will be entitled to have **one slot** per division and will be entitled to register an additional athlete according to their rank on the **individual ranking**.*

(text modified on 1.01.10).

16.21.007 *The **Individual ranking** takes into account points from the World Championship (results from the Paralympic Games would be taken into account on a paralympic year), points from the World Cup (two best results from two events held in different regions), and the best result obtained in a regional (P1) competition. This principle described below applies both for men and women:*

Europe:

Places 1 - 5 in the Europe ranking → 2 slots

Places 6 and more in the Europe ranking → 1 slot

America:

Places 1 - 2 in the America ranking → 2 slots

Places 3 and more in the America ranking → 1 slot

Asia:

Places 1 - 2 in the Asia ranking → 2 slots

Places 3 and more in the Asia ranking → 1 slot

Oceania:

Place 1 in the Oceania ranking → 2 slots

Places 2 and more in the Oceania ranking → 1 slot

Africa:

Place 1 in the Africa ranking → 2 slots

Places 2 and more in the Africa ranking → 1 slot

(text modified on 1.01.10).

Road

16.21.008 *At minimum, each nation will be entitled to have two slots per division for road race and one slot per division for time trial. Nation will be entitled to register an additional athlete according to their rank on the **individual ranking**.*

(text modified on 1.01.10).

16.21.009 *The **individual ranking takes into account** points for the UCI World Championships (if it is a Paralympic year, the results of the Paralympic Games will be taken into account), the World Cup points (two best results obtained in two events in a different region) and the three best results obtained from at least three regional (P1) competitions. The principle described below applies to both men and women:*

Europe:

Places 1 - 5 in the Europe ranking ⇒ 3 slots for road and 2 slots for time trials

Places 6 and more in the Europe ranking ⇒ 2 slots for road and 1 slot for time trial

America:

Places 1 - 2 in the America ranking ⇒ 3 slots for road and 2 slots for time trials

Places 3 and more in the America ranking ⇒ 2 slots for road and 1 slot for time trial

Asia:

Places 1 - 2 in the Asia ranking ⇒ 3 slots for road and 2 slots for time trials

Places 3 and more in the Asia ranking ⇒ 2 slots for road and 1 slot for time trial

Oceania:

Place 1 in the Oceania ranking ⇒ 3 slots for road and 2 slots for time trials

Places 2 and more in the Oceania ranking ⇒ 2 slots for road and 1 slot for time trial

Africa:

Place 1 in the Africa ranking ⇒ 3 slots for road and 2 slots for time trials

Places 2 and more in the Africa ranking ⇒ 2 slots for road and 1 slot for time trial

(text modified on 1.01.10).

XXII

Chapter PARALYMPIC GAMES

16.22.001 Participation in cycling competitions at the Paralympic Games shall be governed by the rules of the International Paralympic Committee (IPC) and of the UCI.

Participation in the Paralympics shall imply acceptance and respect of the IPC rules and UCI regulations rules by the rider and any other license holder.

(text modified on 26.06.07).

Entries - Confirmation of starters

16.22.002 The national paralympic committees shall enter their athletes in accordance with the participation limits, qualifying and reserve system approved by the IPC.

According to IPC rules, each NPC shall inform the organizing committee of the names of its athletes within the deadline fixed by the IPC.

Participation

16.22.003 To take part in the Paralympics, each rider shall:

- hold a UCI licence issued by a national cycling federation
- be at least 18 years old for both track and road events, or reach this age in the year of the Paralympics.
- hold a para-cycling international functional classification designated PPS (Paralympic Permanent Status) or RS (Review Status)

(text modified on 26.06.07).

Paralympic road race circuits

16.22.004 Road race circuits for the Paralympic Games shall **measure between 7 km and 15 km**

(text modified on 1.07.10).

XXIII

Chapter PARA-CYCLING TECHNICAL NOTES

16.23.001 All technical notes carry the same authority as UCI regulations. The technical notes will be subject to continuous revision by the UCI management committee, to reflect technological advances in world cycling and changes to UCI regulations.

(text modified on 26.06.07).